

THIS NEWSLETTER IS PUBLISHED BY THE  
PORT ELIZABETH AMATEUR RADIO SOCIETY

P.O. BOX 10402  
LINTON GRANGE  
6015

**June 1997**

## NOTICE of MEETING

The monthly general meeting of the **PORT ELIZABETH AMATEUR RADIO SOCIETY** will be held on **Friday, 20 June 1997**, commencing at 20:00 (8pm) in the Municipal Disaster Management Centre in Westview Drive, Mill Park, Port Elizabeth (Civil Defence Centre).

Cor de Wit, of Aberdare Cables, will talk to us on optical fibre technology, which should be illuminating as well as interesting. Just hope the non-contact adhesives man doesn't turn up out of the glue and gum up the works.

Viv Moore will be parting with a small number of pagers which can be converted to tune the whole 2 metre band, but you gotta be *there* to get one.

Bill ZS2ABZ will care for the inner man/woman/whatever in return for a small donation. *Be there!*

### Technical Talk

The regular technical get-together will take place on Wednesday, 25 June at the clubhouse, starting at 20:00. The door will open around 19.30 so you can get the jump on the latecomers and find that book you want from the library, or just swop yarns.

The BACAR project - *Balloon Carrying Amateur Radio* - will receive further attention but it seems essential now that deadlines should be set for the various steps that are necessary if we are to bring the project to fruition.

Also, there will be discussion on the conversion for 2-metre or 137 MHz weather satellite reception of the pagers that will be given away at the Society meeting (see above and also the article on page 10).

★

### Subscriptions overdue

Have you remembered to remit your subs for the new Society year? They fell due on 1 April and, unfortunately, those who do not renew forthwith will have to be removed from the membership and QSX circulation lists.

Members are reminded to furnish their personal particulars and those of their spouses (names, birth and anniversary dates), if they have not done so recently, so that we can get our data up to date.

The subscription is R50 for a full member and R30 for a family or student member. At the recent AGM it was decided that anyone who just cannot afford the full amount may make representations to the Chairman by letter, providing sufficient reason, whereupon the Committee may agree to reduce the applicant's subscription level for the year.

Come on, guys!! We don't want to lose you.

Ω



## A word

---

## from the Chair

---

*A* word from the chair? I would prefer to think of it as a word from the *hot-seat!* [More like a *sentence*, I would say-Ed.]

Having found myself in this position, it would be very unfair not to express sincere thanks to the outgoing chairman, Dick, ZS2RS, for a great job well done over the last year and a bit. Dick has seen us through the transition from an affiliated SARL branch, to the new, restructured independent local radio society. This could not have been an easy task, trying to uphold the motivation of many hams who seemed to be reconsidering the hobby. Many were also trying to weigh up the odds of joining either the national body, or the local one, or both.

But we seem to have come through the era of change with great success, and on that success we can now build. Thanks also go to the outgoing committee, most of which I am pleased to see are happy to give it another year. To Viv and Al, many thanks for your input, and after a short break, maybe we will see you back on the committee...

Our aim this year must be to revive the social side of our hobby, and also formulate ways of drawing the younger hams into the activities of the Society. I would like to emphasise that the committee is open to suggestions from any interested parties as to how these aims could be realised.

The VW Rally is just around the corner, and must surely be a highlight in the annual happenings of the Society. It provides an opportunity for the idle rigs of many a local ham to become active again. If you would like to be involved, please let Al ZS2U, or any of the committee members know.

Finally I would like to reiterate that my success in this position can only be guaranteed by the experienced input from the more senior members - I am a rookie pilot, after all!

73,

*Chris, ZS2AAW*

## Future of Hamnet.

In the Hamnet national bulletin on Sunday, 25th May it was stated that, at the League Council meeting of 24th May, several decisions were made with regard to the functioning of Hamnet and these were listed. This bulletin resulted in a storm of protest from all over the country and several provinces stated that they intended dropping Hamnet and forming their own provincial emergency nets.

The East Cape Directorate had already decided on proposing a similar course of action at their meeting on 4th June and were pleased to find that they were not alone. The main bone of contention was that all Hamnet members must belong to the League.

On the day of the local Hamnet meeting, during the course of a telephonic conversation between Mike ZS2FM and League President Chris ZS6GM, Mike mentioned the dissatisfaction of local Hamnet members, and about this decision in particular. Chris claimed that this was a misunderstanding and that the decision was that all Hamnet *office bearers* must be members of the League.

The implication here then is that, with the exception of office bearers, all amateurs are eligible for Hamnet membership, whether League members or not. There are a few other matters which need to be resolved and this is being dealt with. It seems then that there is a brighter future for Hamnet.

## Future of Amateur Radio

It should be obvious that, with the proliferation of radio communication services, such as broadcasting, commercial, etc., increasing pressure is being brought to bear on licensing authorities for radio frequencies. The increased revenue derived from such allocations must be pretty attractive too.

We amateurs are fortunate that we have so much of the radio frequency spectrum for our use and we need to justify our existence now more than ever. There are two main ways in which we can do this. One is through self education in the technical and operating fields. By all accounts we are doing a good job here.

The other way is by providing communications during emergencies and other occasions, such as passing information regarding traffic conditions during holiday periods. Only a small percentage of amateurs belong to Hamnet, which means that we cannot do as well here as we could.

There are a number of reasons why many amateurs do not join Hamnet, at least some of which are due to misconceptions as to the functioning of Hamnet and expected commitments from its members. More about how Hamnet proposes to function in future issues of QSX.

73

**Al Akers ZS2U**

**Provincial Director,  
Hamnet East Cape.**

# PEARStalk

## SA Women's Radio Club

The report in our April issue on the passing of Ethel Smith K4LMB, founder member of the YLRL in the USA, brought forth an impassioned plea from Iris Hayes ZS2AA to the ladies of PEARS. She asks that you consider resuscitating the SA Women's Radio Club, of which Iris was a founder member and which has been in limbo for several years due to the dearth of able-bodied ladies to run the Club's affairs.

Come on, girls – this would be a great way to put something back into your hobby and for XYLs to get more directly involved in ham radio even if you are not yourself licensed. Do give it some serious thought. Iris says: "I am sure and know that your YLs are *more* than capable of reforming our SAWRC". That's a challenge if ever I saw one! How about co-ordinating the revival, Lynne?

## YL/XYL Data wanted

Iris also sent us a letter from Wolf Harranth OE1WHC, Hon. Curator of *Internationales Kuratorium QSL Collection* of Vienna, Austria, whose consortium of volunteers are looking for biographic information (personal and ham radio life) about YL operators worldwide before WW II, if possible with photographs and QSL cards before WW II and now. The data fits in with the aim of preserving the story of amateur radio for generations to come.

Wolf would also appreciate information about newer YLs too, so come on, girls – get your names into print by writing to Wolf at POB 2, A-1112 Wien, Austria. He is on packet at OE1WHC@OE1XAB.AUT.EU and his Internet address is kwp@rai.ping.at.

## New Frequency Allocations

You have perhaps heard from the SARRL's bulletins that they have managed to obtain three new allocations in the HF and VHF spectrum for amateur use. If you are wondering just what these new allocations are, the following will interest you.

Government Gazette No. 17701 of 27 December 1966 carried the new band plan for South Africa that was produced by Project SABRE and now officially approved. The new allocations for amateur use are:

29.7–30 MHz allocated to the amateur service on a *secondary* basis for use *during disaster exercises and emergency situations*. This is in addition to the existing exclusive amateur band 28–29.7 MHz, which retains its primary status.

40.675–40.685 MHz for propagation study (max. ERP 10W).

70–70.3 MHz allocated to the amateur service on a *secondary* basis in order to undertake experimental work on propagation. The change is in line with

recommendations made in the European DSI.

From the above it is clear that the new spectrum is not being provided for ordinary amateur QSOs or chatting with non-amateur users other than under the conditions specified. Moreover, the 40 and 70 MHz allocations will *only become available to us in a few years' time*, to allow for orderly movement of current occupants to their new spots in accordance with the "migration plan" of the authorities.

We had, of course, been given the green light by the PMG some time ago to communicate with non-amateur stations in the event of an emergency, which would have covered the 29.7-30 MHz usage even without this specific conditional allocation.

The significance of the other two allocations for propagation studies eludes me since they do not fall particularly close to existing bands that we can use, so perhaps we should ask Mike ZS2FM or someone to give us a rundown at a Society meeting on how these allocations will benefit the average ham.

### **VW Rally coming up**

The VW Rally is planned to take place on Friday 18 and Saturday 19 July. It will be run once again in the Uitenhage-Longmore Forest-PE area and those helping with communications will not have to travel vast distances.

If you want to participate in the comms service and have a lot of fun, keep these dates in mind. Volunteers will be called for in the near future.

### **QRM averted**

Radio Kingfisher, a local community service station, planned to move their transmitter to the Lady's Slipper mountain and increase power considerably. PEARS and other owners of repeaters on the mountain submitted objections and we are glad to learn that the move has been disallowed.

### **RAE exam "good"**

Reports indicate that the RAE paper written in May was a very good one, and was correctly orientated towards amateur radio. Our thanks to the examiners. But when are we going to see the long-promised 600 question booklet?

### **Wefax repaired & improved**

Colin ZS2AO replaced the coax to the wefax transmitter last month and, in the process, used a shorter route to the roof. This, together with the raising of the antenna by some two metres, has resulted in a better signal level throughout the service area. Thanks, Colin, for risking life and limb!

### **Packet stuff**

The UHF link between the digipeater near Grahamstown and the BBS went off frequency for a while but has been restored and the facility is working FB again. The apparatus will

probably have to be moved from the present site in the next month or so as announced last month due to a change of ownership of the land on which it is currently installed.

## MIR active

Mike Foale, KB5UAC has taken up residence on MIR for about four months and will be workable on 145.800/200. The packet facility, of course, operates simplex on 145.800 so there will be no packet operation while voice QSOs are in progress.

---



Allan Ansell ZS2AJ (left) and Mike Smuts ZS2XE, who were presented with "Outoppie" certificates to mark their ascension to octogenarian status.



The certificate makes provision for endorsements for every additional 20 years.

André Botes ZS2ACP with the PEARS Certificate of Achievement for QRP, having worked not fewer than 20 different Maidenhead locators using a maximum of 5 watts. This was the first of the new PEARS certificates to be issued.



# Fiddlers' Corner

## Use your 2m Antenna for your Car's Broadcast receiver too

ULF DEMASIUS ZS1ZO,  
(FROM RADIO ZS FEB. 1987)

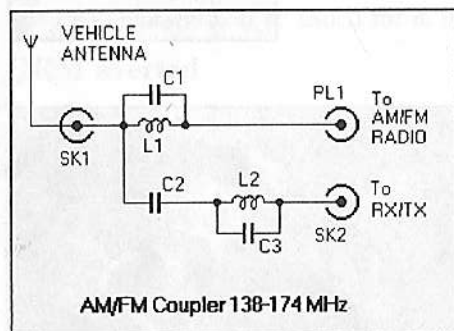
This FM coupler is a handy little device which may be hidden away under the dashboard of just about any vehicle. It facilitates the use of two radios from one antenna, for example if a 2 metre rig is to be installed in a vehicle which already has an FM radio fitted. In this case the broadcast antenna is removed and replaced with a 2 metre  $5/8\lambda$  antenna.

The FM coupler will enable reception on the broadcast radio as well as being the antenna for the 2 metre rig. Transmission may be made on the 2 metre rig, with the broadcast receiver switched on, but this is not advisable.

L2, C3 and C2 form a low pass filter for 145 MHz while C1 and L1 rejects the signal.

C1 and L1 form a low pass filter for 100 MHz and C2, L2 and C3 form a rejection filter.

This simple device is suitable for 2 metre transceivers up to 30 watts.



The  $5/8\lambda$  antenna is fitted with RG58U coaxial cable, which goes to the SO239 socket on the coupler itself. The standing wave ratio should be checked and any adjustments required made by cutting the whip shorter, little by little, until the best SWR has been achieved.

### Components

C1	8,2 pF 63V Ceramic
C2	150 pF 63V Ceramic
C3	33 pF 63V Ceramic
L1	6 turns 19 swg enamelled copper wire 6,5 mm $\emptyset$
L2	4 turns 19 swg tinned copper wire 6,5 mm $\emptyset$
SK1	SO239
SK2	SO239
PL1	Standard plug for car radios

Note: L1 and L2 are turned on a 6,2 mm drill bit.  $\Omega$

### NW Radio Club Newsletter

Ima Venter ZR6EV phoned to enquire about the production of QSX as she hopes to start a newsletter for the North-West Amateur Radio Club. We wish her and the NWARC good luck and look forward to receiving their newsletters in due course.

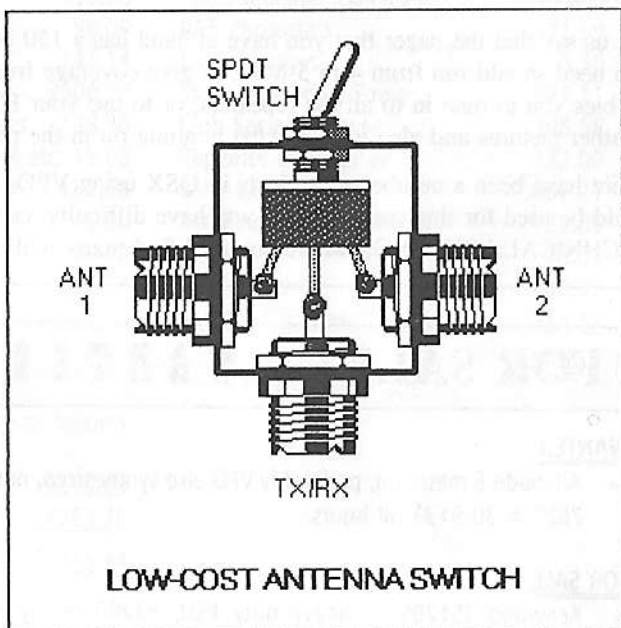


# Cheapo Antenna Switch

**A**ntenna switches cost the earth these days but it is possible to construct a simple switch that will do the trick just as well as the more expensive commercial units. If you need only to switch one transceiver between two antennas, a good single-pole double-throw (SPDT) toggle switch will suffice, together with three SO239 coax sockets and a small metal box just big enough to fully enclose the lot.

Construction is simple, as will be seen from the accompanying drawing.

Use a good quality, robust switch and lay the components out around the sides of the box so that you can solder the switch contacts direct to the SO239 lugs. Even an additional centimetre or two of wire between the lugs and the switch may upset the impedance quite noticeably. The use of a *plastic* box might also do so.



If you do use plastic, be sure to bond the barrels of the SO239 connectors together, using a heavy piece of wire or outer screen stripped from a length of coax. Run the bonding to the metal case of the switch too for good measure.  $\Omega$

**Transformer Hint** – In our April issue (page 7) we showed how you can determine the VA rating of a transformer by measuring the cross-section area of the core. It is, of course, not always easy to measure the middle of the core itself because it is hidden by the bobbin carrying the windings. However, you can usually get to the outer ends and Bill Browne ZS2BY has pointed out that, in standard laminations, these are usually half as wide as, and therefore have half the cross-section area of, the centre. A bit of arithmetic does the rest.  $\Omega$

## PAGERS TO 2 METERS

VIV MOORE ZS2VM

On several occasions pagers have been handed out at meetings and fleamarkets, so there must be quite a number of these useful items floating about, many obtained with the thought to strip them for parts or re-crystal them for 2 meter receivers.

There is an easy way to get receive coverage of the complete 2 meter band or 137 MHz weather satellite frequencies, and that is with a simple VFO and RF receive mixer. Most of the pagers I have seen run somewhere between 147 and 155 MHz. Any of these frequencies mixed with a frequency from an VFO, will pull you into the 2 meter band.

Let us say that the pager that you have at hand has a 150 MHz crystal, then the VFO you need should run from 4 to 5 MHz to give coverage from 145 to 146 MHz. This enables you to tune in to all the repeaters, or to use your PC to look at the local weather pictures and also look at what is going on in the packet scene.

There have been a number of projects in QSX using VFOs and receive mixers that could be used for this converter. If you have difficulty, come along to the TECHNICAL MEETINGS where you will find many willing helpers.

### FOR SALE ★ WANTED ★ SWOP

#### WANTED

- ★ All-mode 6 metre rig, preferably VFO else synthesized, not xtal controlled – Alex Gogos  
ZR2T ☎ 30-9133 all hours.

#### FOR SALE

- ★ Kenwood TS120S + heavy duty PSU, R2200 highly negotiable – Steve Williams  
ZS2WS, ☎ 31-2784 (H) 33-4888 (W)



## Instant Printing

FOR ALL YOUR  
PRINTING REQUIREMENTS

9 St. Patricks Road, Port Elizabeth 6001

Telephone: (041) 55-2614

Try us for your QSL cards!



**PORT ELIZABETH AMATEUR RADIO SOCIETY  
FINANCIAL STATEMENT OF INCOME AND EXPENDITURE  
FOR THE PERIOD 1 JULY 1996 TO 31 MARCH 1997**

<u>Income</u>		<u>Expenditure</u>	
Balance B/Forward	14397.89	Club AGM Expenses	172.09
Reversal of Bank Charges	20.00	Electricity	282.50
Subscriptions	4925.00	QX Printing	1245.00
RAE Students Fees	690.00	QX Postage	1191.29
Travel Fund (SARL)	656.00	PBBS/Repeater Expenses	399.00
RAE Manual Sales	80.00	RAE Photostats	421.99
Teas	146.14	Bank Charges	3.56
VW Rally Association	3500.00	Stationery/Office Equip	124.11
Refund AGM Delegate Expenses	138.30	Club Social Expenses	398.58
Sale of Equipment/Components etc.	15.00	Repeater Licences etc.	732.00
Unclaimed Rally Expenses	187.05	Rally Expenses	606.21
Donations	45.00	Road Access (Kareedouw)	22.80
Advertising QX	40.00	Stamps	28.00
Interest on Savings	134.04	PO Box Rental	100.00
Interest on Investment	<u>1566.15</u>	Balance C/Forward**	<u>20813.44</u>
	<u>26540.57</u>		<u>26540.57</u>

\*\* Balance C/Forward made up as follows

Investment	16550.09
Savings Account	<u>4263.35</u>
	<u>20813.44</u>

**Certified a true extract of the books of the P.E. Amateur Radio Society**

**(Sgd.) C.C. Fife**  
**Hon Treasurer**  
**ZS2RT**

**D.Winter**  
**Hon. Auditor**  
**ZS2MC**

### Greetings from ZL

Marc Venter, ex ZS1MLV of Mossel Bay, sends greetings to all his PEARS friends. Now located in Christchurch, New Zealand, Marc holds the callsign ZL3VML. In a packet message to Vic ZS2SZ, he reports that he has just unpacked all his radio goodies and come up on packet. His packet address is ZL3VML @ZL3AC.#80.NZL.OC. He misses QX!!

## PEARS' 1ST AGM

A successful first AGM of the Society was held on 17 May and another strong committee was elected under the chairmanship of Chris [Toff] Scarr ZS2AAW, whose election was unanimous.

Other committee members are: Dick Schönborn ZS2RS (subsequently elected Vice Chairman), Beavan Gwilt ZS2RL, Clive Fife ZS2RT, Trevor Scarr ZS2AE, Lynne Crothall ZS2MM and Des Herselman ZR2DH. Their portfolios can be found on page 15.

Thanks go to the outgoing committee for their sterling work, especially during the transition from branch to club status, and we congratulate the incoming members on their election.

It was good to see Trevor Scarr at the AGM, looking well after his recent bout under the knife (is it true he's changed his name to *Scars*?), and also some of our regular AGM attendees from out of town, although we missed our friends from the Cowie and its hinterland, and nobody made it from EL either, probably because Colin ZS2CR and other Borderites were involved in the International Telecommunications Day activities organised by the SARL.

The motion to introduce a "country" category of membership at a lower subscription rate was lost because the current figure barely covers the cost of running the Society and repeater and other facilities that it provides. QSX, in particular, takes the largest chunk out of the subs and it is also an important means of keeping members – especially country ones – in touch. However, it was decided that anyone who just cannot afford the full amount may apply in writing to the

Committee for a special dispensation, furnishing suitable motivation, and the Committee may approve a reduction in the specific case. This is similar to the facility that existed under the old League constitution.

The VHF Trophy was awarded in absentia to Alex Gogos ZR2T for his enthusiastic VHF activities, while the DX Trophy was presented to Chick Mosley ZS2LM, our most ardent DXer, especially on CW. Certificates of Merit went to Garth Laaks ZS2HB, Al Akers ZS2U, Viv Moore ZS2VM, the three Scarrs Trevor ZS2AE, Julie ZR2EY and Toff ZS2AAW, Vic Olivier ZS2SZ and Bill Hodges ZS2ABZ for the various parts that they played in the life of the Society during the past year. A Certificate of Appreciation went to Sandy Bartlett ZS2LN for his help with the QSX address labels.

Two special "Outoppie" certificates were presented to octogenarians Allan Ansell ZS2AJ and Mike Smuts ZS2XE on having graced us with their presence for so many years. (There must be other octogenarian members of PEARS but, since we do not record birth years, we cannot determine who they are. If *you* are one, please let us know—Ed.)

A braai in pleasant weather followed the meeting and those who had not already done so earlier bought more loads of junk at the concurrent flea market/boot sale. Neels du Plessis ZR2ABT donated the proceeds of his bakkielood – everything went for R2 per article – to the QSX fund, for which we thank him most kindly.

And so another successful event in the distinguished history of our association came to a happy conclusion... Ω

**MINUTES OF THE MONTHLY GENERAL MEETING OF THE PORT ELIZABETH AMATEUR RADIO SOCIETY, HELD AT THE MUNICIPAL DISASTER MANAGEMENT CENTRE, MILL PARK, PORT ELIZABETH ON FRIDAY, 18 APRIL 1997**

**Opening & Welcome**

Chris ZS2AAW took the chair in the absence of Chairman Dick ZS2RS. Chris extended a welcome to all present.

**Present & Apologies:** As per register plus apologies from Dick ZS2RS, Sean ZS2SNA, and Trevor ZS2AE.

**Minutes of the Previous Meeting:** Amendment: Item 1 under "General": Colin ZS2AO was also one of those present who also were at the erection of the original telephone booth.

Accepted as amended: proposed by Chick ZS2LM, seconded by Fred ZS2JS.

**Guest Speaker:** The person who was supposed to give a talk on adhesives was unable to make it, for the second time in a row. Unable to adhere to his promises?

**Matters Arising:** None

**Finance & membership:** The caretaker of all our fortunes, Clive ZS2RT reported that savings stood at R4 329.12, and the investment account amounted to R16 550.09.

**Correspondence:** Letter received from Garden Route Radio Club thanking us for sending them a copy of QSX, and complimenting us on it being such a superlative piece of journalism.

**General:**

1. The Grahamstown repeater failed recently due to flat batteries, because the earth leakage relay had tripped, but we were not aware of it because the mains failure alarm had not been connected.
2. Members were reminded of the boot sale to be held at the AGM next month.
3. Garth ZS2HB asked that somebody second Chris White's motion re reduced subs for country members. Seconded by Fred ZS2JS.
4. Clive ZS2RT said that he had received some complaints from pensioner members who felt that R50 was too much for them. It was suggested that we give members a breakdown of our costs, particularly with respect to the publication of QSX.
5. Garth ZS2HB reported on the progress of our BACAR project.
6. Chris ZS2AAW reminded members of the AGM this coming month and the need to find new blood for the committee as some of the existing members had indicated that they would not be standing for re-election.

**Closure:** The meeting ended at 20:40, followed by the usual cuppa + bikkies + chewing of rags.

-----  
[I just love the way Beavan writes the minutes - and of course I agree with everything he says-Ed.]

---

Saw a chap trip over one of those little signboards that they often place on the floors of shopping malls. The sign read: "Wet floor - Don't slip"! Reminded me of the road sign that said: "Do not cross causeway if this sign is under water".

**Sympathy**— We extend our condolences to Kevin Karp ZR2KLM on the loss of his father early in May, to Louis Jordaan ZR2J on the passing of his sister-in-law as well as his brother within a short space of time, and to Dennis ZS2DB and Peter ZS2PF Flynn on the loss of their father and grandfather respectively.

## **Congratulations...**

### **on your birthdays:**

#### **June**

- 25 Lionel Wrankmore ZR2AAJ  
Robert Bosch ZR2ABK
- 26 Ben Taljaard ZR2CS
- 27 Robert Pokorny ZS2ABJ
- 28 Peter Liebenberg ZS2PL  
Ken Tremeer ZS2BWB

#### **July**

- 3 Julie Scarr ZR2EY
- 5 Piet de Jongh ZS2NQ
- 7 Jim van Loggerenberg ZS2LR  
Mohammed Sayed Ahmed Ravat
- 9 Lambert le Doux ZS2LL
- 11 Isaac Greeff ZS2IJG  
Hettie Taylor XYL of Gerald  
ZS2AAX
- 12 Keith Fensham ZR2KF
- 14 Alex Gogos ZR2T
- 16 Sel Staples ZS6SS  
Karen Weiss XYL of Glenn
- 17 Elsa Schilder XYL of Ben ZR2ABE
- 19 Arthur Baynes ZR2ARB  
Bill Browne ZS2BY
- 20 Vic Olivier ZS2SZ  
John Cuthbert ZR2ABX

### **on your anniversaries:**

#### **June**

- 24 Ali & Ewan Mathieson ZS2EN
- 26 John & Mandy Masters ZS2AAN

#### **July**

- 4 Marge & Brian Weller ZS2OB &  
ZS2AB
- 12 Julia & William Atteridge ZS2V

**on your achievement** Johan Terblanche ZS2JST of Mossel Bay, who took 5th place in the 80 metre QSO Party.

---

***Pick list:*** Shirley Cockbain XYL of Tom ZS2TC has had a stint in hospital, and Chick Mosley ZS2LM had a kidney stone removed. We hope all is well again with you two.

***Gadding:*** We hear Dick ZS2RS is off to the UK o n c e a g a i n, and Mike Smuts and his good lady have taken a jaunt to Mauritius, while Gus ZS2MC and Shirley have returned from a couple of weeks in EL.

***Welcome:*** If we did not do so before, we welcome Geoff Tucker ZS6TS, who took up residence in Bathurst some months ago. He is still awaiting his ZS2 call.

***On the move:*** John Hugo ZS2J has again sold up in Bathurst and is looking for pastures new. He sold his house to Hugh Rouse of Springbok Radio fame. Wonder if he'll try *amateur* radio? Ω

## Your Society's Committee

Chairman, Repeaters, Packet	Chris Scarr ZS2AAW	38-1344
Vice Chairman; Social	Dick Schönborn ZS2RS	38-5070
Secretary; Awards	Beavan Gwilt ZS2RL	30-6968
Treasurer; Assets Control	Clive Fife ZS2RT	32-3203
Social; Assisting with Assets Control	Lynne Crothall ZS2MM	35-4671
assisting with refreshments at meetings	Bill Hodges ZS2ABZ	51-2580
QSX Manager	Trevor Scarr ZS2AE	32-1746
assisting as QSX Editor/layout	Garth Laaks ZS2HB	38-1101
Technical Classes	Des Herselman ZR2DH	54-2911 (W)
	Cell 083 261 5402 (All Hrs)	

## PEARS' VHF & Other Services

### REPEATERS

Town VHF	145,050/650	Kareedouw	† 145,125/725
Town UHF	431,050/438,650	Knysna	*145,050/650
Cockscomb	145,000/600	Lady's Slipper	*145,100/700
Cradock	145,050/650	Uitenhage	145,075/675
Grahamstown	*145,150/750	Theescombe	† 145,175/775

\* The East London 145,125/725 MHz repeater and the George repeater on 145,100/700 are linked to PE's long-range 2m repeater system.

† These are privately owned repeaters and are not included in the PEARS linked repeater system.

### OTHER SERVICES

Packet Bulletin Board (ZSØNTP)	144,625
Packet Rose Switch (ZSØGHT-3,046101/046102)	144,675
2m Beacon (ZS2VHF CW ID)	144,910
6m Beacon (ZS2SIX CW ID)	50,005
6m Link with Lady's Slipper 2m Repeater	51,400
Wefax Relay (Meteosat)	145,350

## Sunday Bulletins

PEARS bulletins are transmitted on Sundays immediately after the SARL English transmission, i.e. at about 08:45, on 7098 kHz as well as the 2 metre linked network that provides coverage from East London to George and environs via repeaters on 145,750 MHz (Grahamstown), 145,700 (PE Slipper), 145,650 (Knysna), George's 145,700 and East London's 145,725. PEARS' 7098 or 3640 kHz transceive facilities are also remotely linked as needed. In addition, the SARL's 40m transmissions on 7082 or 7066 kHz can be remotely patched into the 2m network.

Date	Prepare and Read on 145,750	DIARY DATES
15 June	ZS2MM	JUNE
22	ZR2DH	20 PEARS Monthly meeting
29	ZS2AAW	22 QRP contest
6 July	ZS2RS	25 Technical get-together
13	ZS2RT	30 Last chance to renew subs and be assured of receiving July QSX!!
20	ZS2AE	

★ We Like Being Your Society! ★